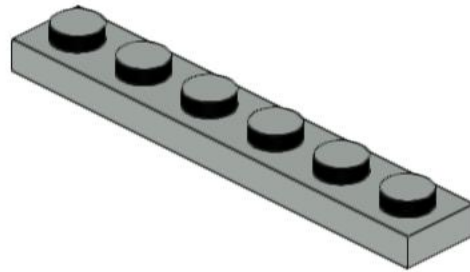
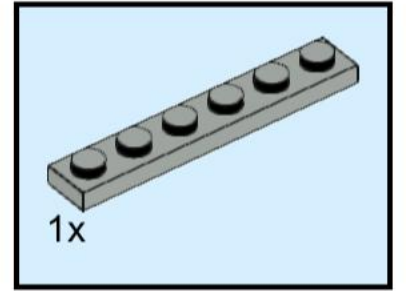
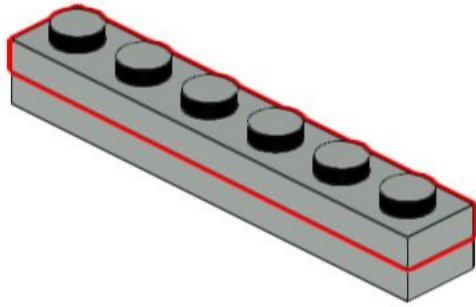
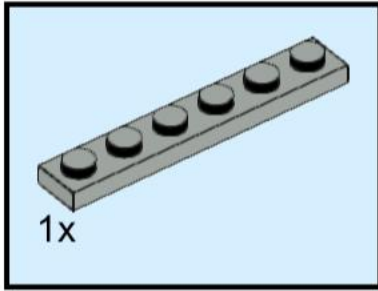


CAMEL FOR PIT

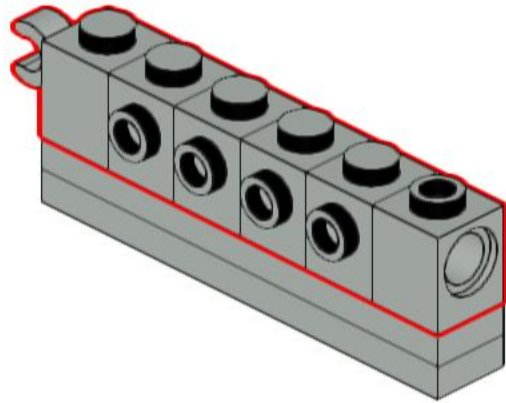
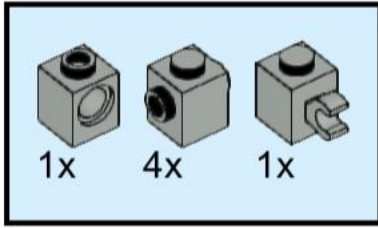
1



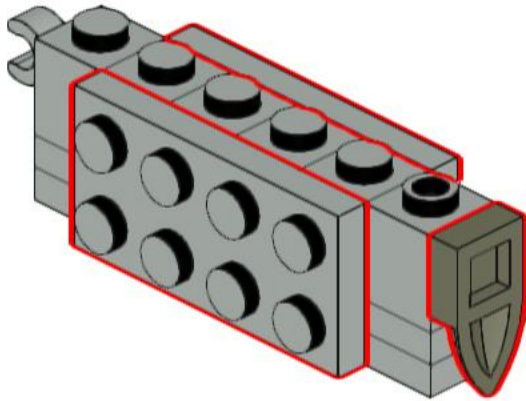
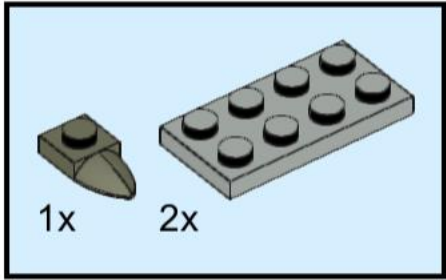
2



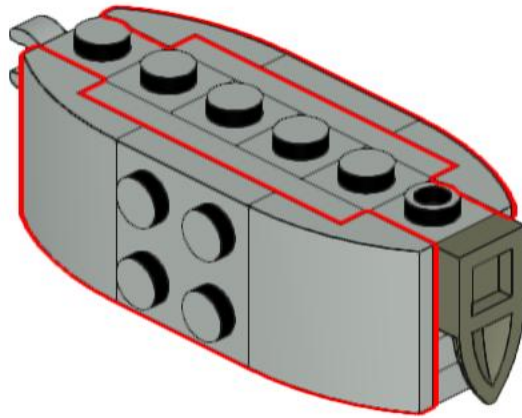
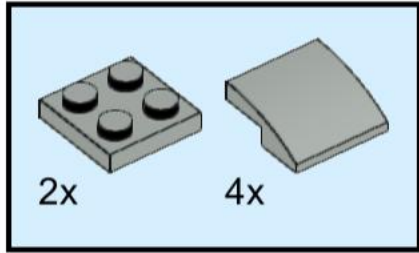
3



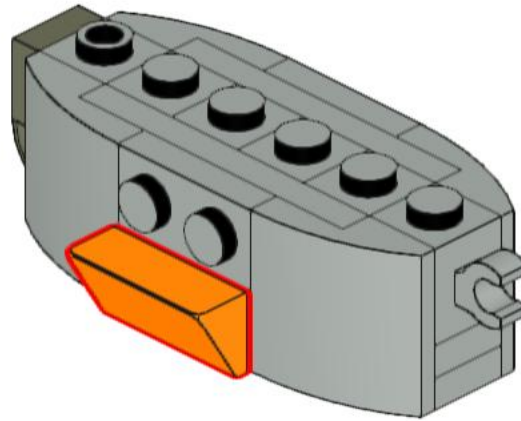
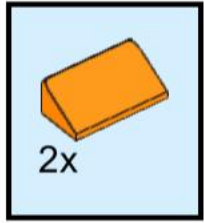
4



5

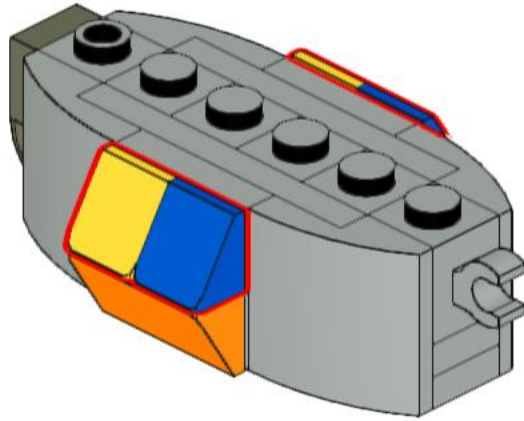
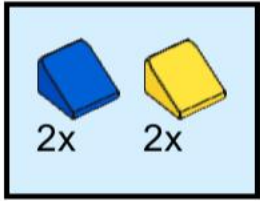


6

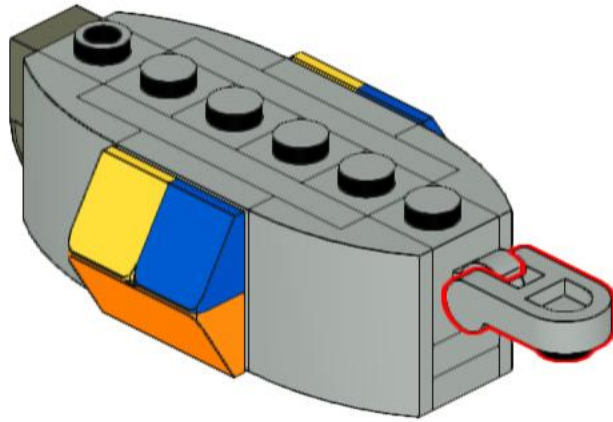
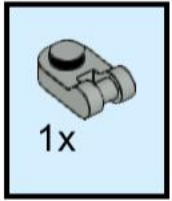


Same on
other side

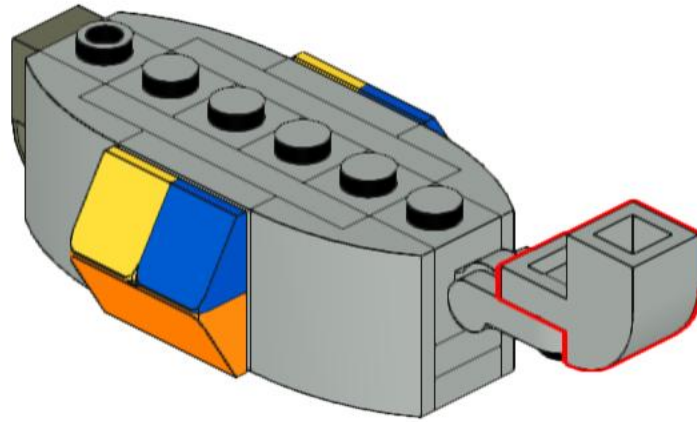
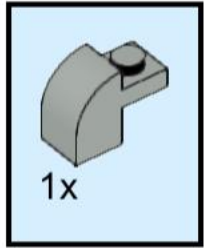
7



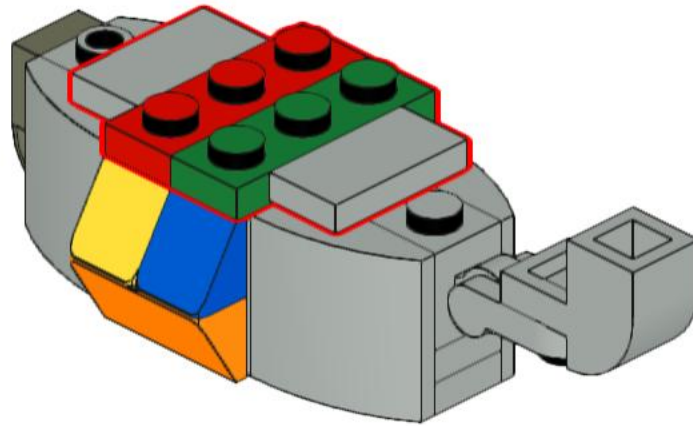
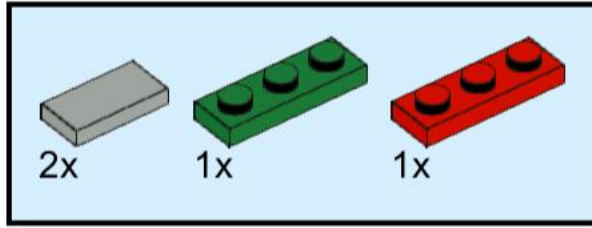
8



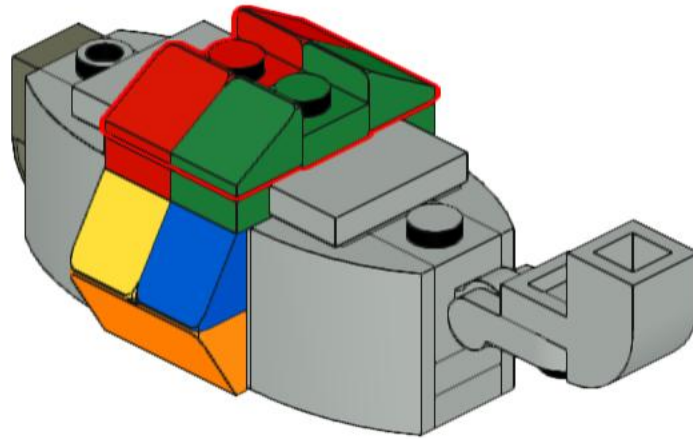
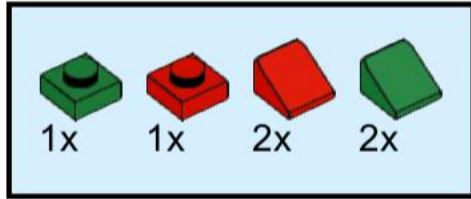
9



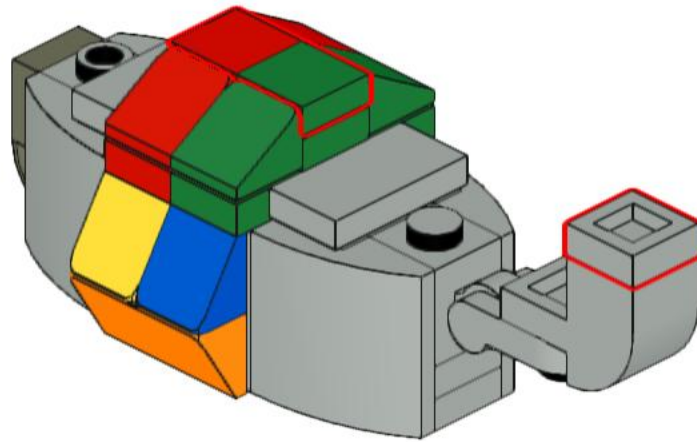
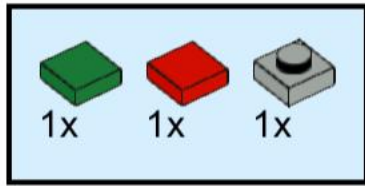
10



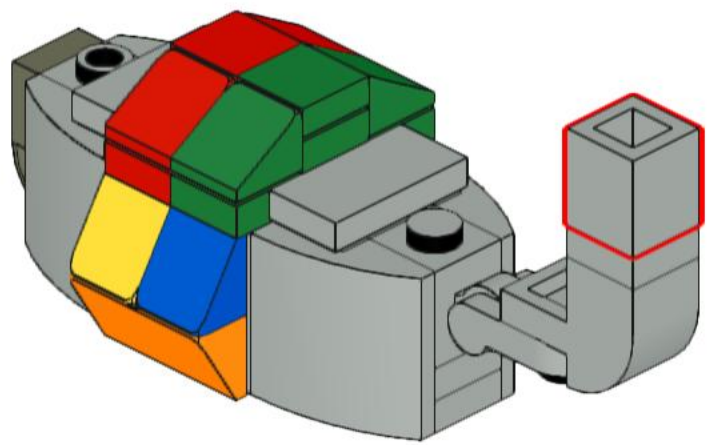
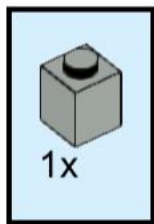
11



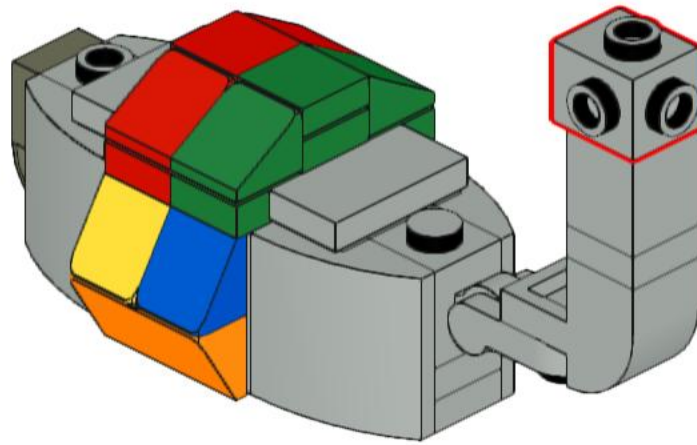
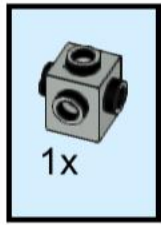
12



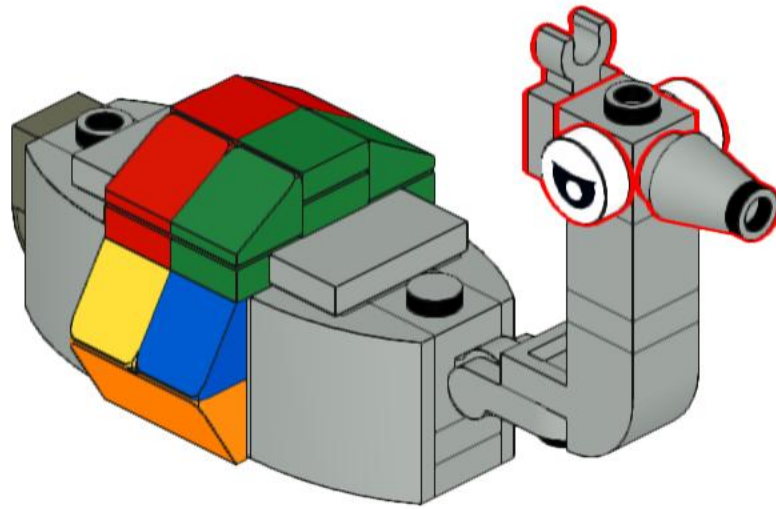
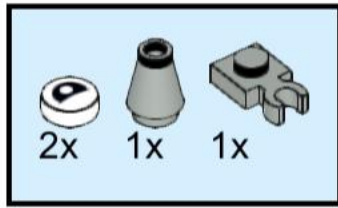
13



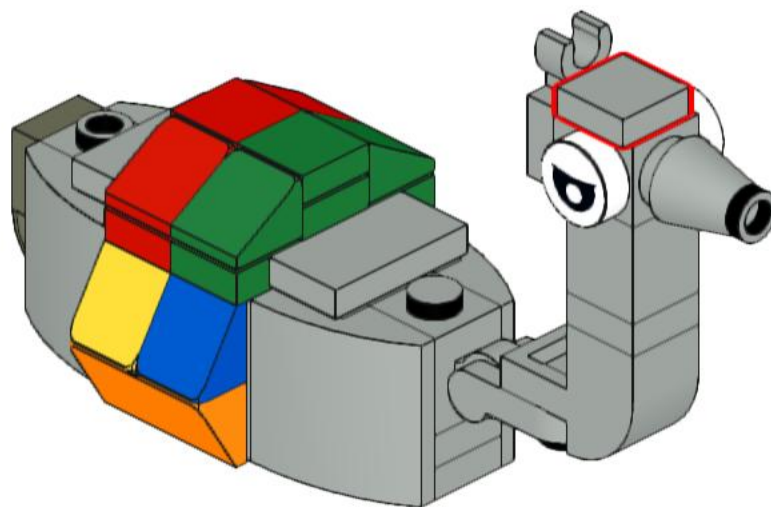
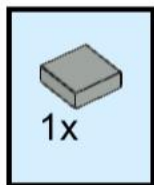
14



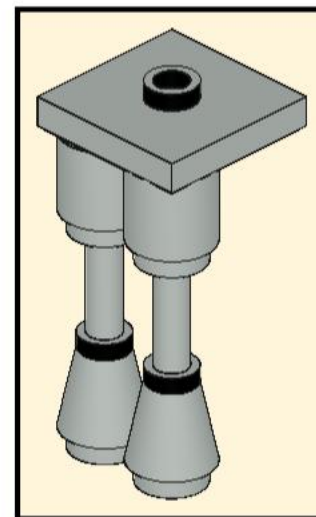
15



16

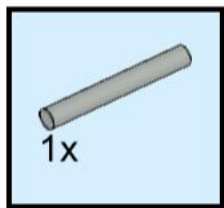


17

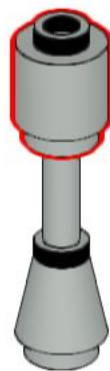


2x

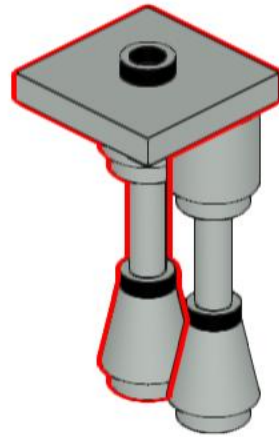
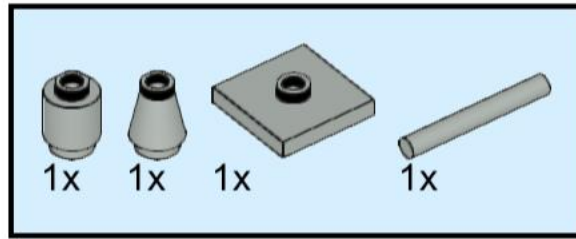
18



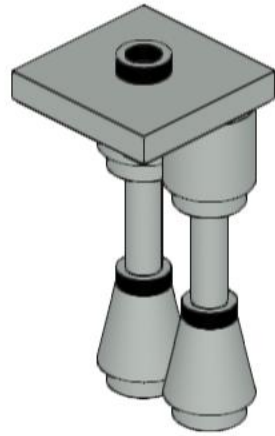
19



20



21



22

